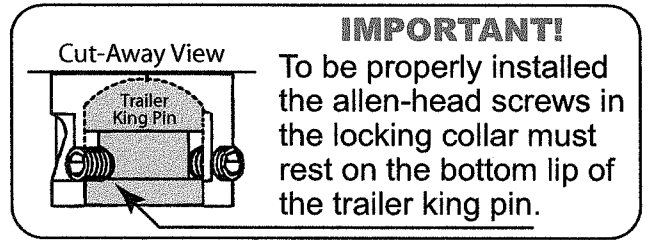
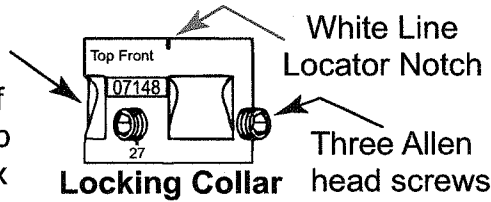


C5G ADJ Adapter Installation Instructions

Tools required: 3/8" allen wrench, Large crescent wrench

Part 1 - Installation of locking collar:

Three inclines around the locking collar allow set screws on the main body of hitch to draw the adapter up against Fifth Wheel Pin Box

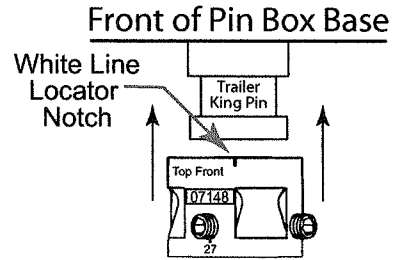


IMPORTANT!

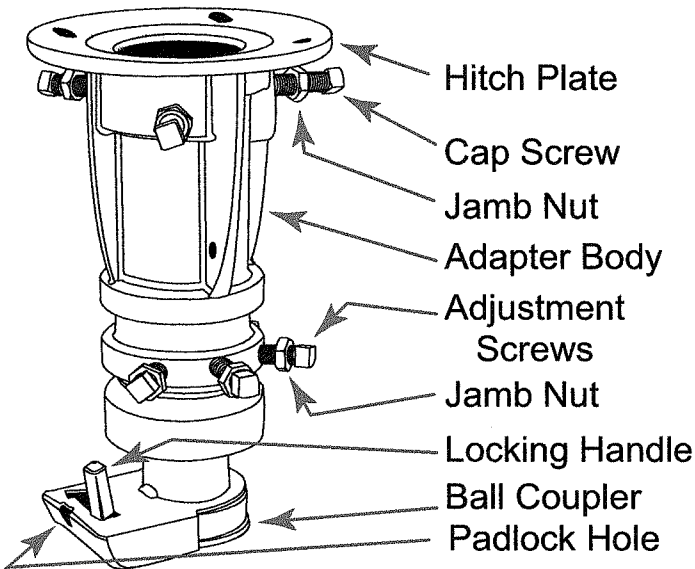
To be properly installed the allen-head screws in the locking collar must rest on the bottom lip of the trailer king pin.

Slide the locking collar over the the trailer king pin. Before tightening allen-head screws, rotate the collar so that the white line of the locator notch on the front of the collar is in the exact center of the front of the king pin box. Tighten each of the allen-head screws evenly, making sure the allen head screws rest on the bottom lip of the trailer king pin.

Firmly seat the allen-head screws flush with the surface of the collar. If screws are not flush, loosen and re-tightened evenly.



Part 2 - Installation of adapter:



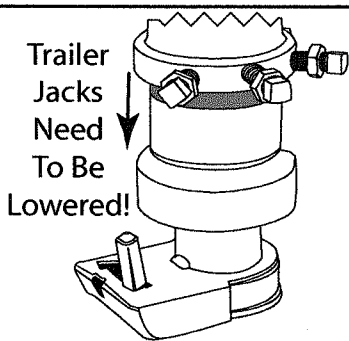
To prepare, move the Jamb Nuts out to the head of the Cap Screws. The adapter body weighs over 50 lbs, so an additional person may be required to help. Have your large crescent wrench handy.

Slide Adapter Body up over the Locking Collar, with the ball coupler label facing front and the red locking handle facing the driver's side of the truck bed. Begin tightening Cap Screws evenly, making sure the adapter body is moving upwards, until firmly against the pin box. Tighten down the Cap Screws to approx. 100 ft. lbs. Tighten jamb nuts firmly.

Attach the safety chains to the adapter body. Always secure safety chains and lock the ball coupler before operating. Check all vehicle trailer clearances and equipment before towing.

Part 3 - Adjusting the adapter:

Raise your trailer with the adapter attached and back the truck under the trailer, centering the adapter over the gooseneck ball. Lower the trailer to a level towing position. Loosen the three Adjustment Screws and lower the Ball Coupler over the ball, securing it with the Locking Handle. Ensure there is no RED showing between the Ball Coupler and the Adapter Body. Tighten down the Adjustment Screws to approx. 100 ft. lbs. Tighten jamb nuts firmly.

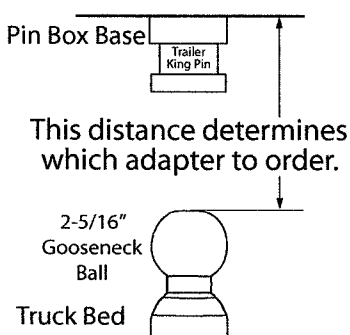


IMPORTANT WARNING!

Each ball coupler is marked in RED when its is too low to be safely connected to the adapter body. If you see red when you are hooking up your adapter, you need to lower the trailer jacks until there is NO red showing before tightening the adjustment screws and jamb nuts.

Disconnecting the coupler

If you are unable to move the coupler handle to uncouple your trailer, you have negative towing weight. (Up pressure on your ball coupler) Be sure you unlock the coupler before you jack the trailer up. Also you need to be on fairly level ground. If all else fails, call us at 800-543-1732.



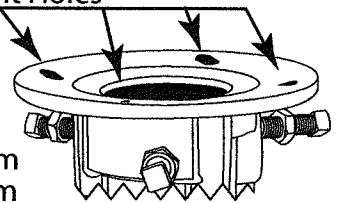
Which height do I order?

To find the correct height of C5G: Back under your leveled trailer, aligning the king pin with the gooseneck ball. Measure from the top of the gooseneck ball to the base of the pin box. Some pin boxes may have a height adjustment. The measured distance determines the model to order - by the range it can adapt.

Hitch Plate Bolt Holes

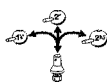
Bolt-On Kit

When properly installed we can guarantee this system will not separate from the king pin. If you would feel more comfortable with the unit bolted to the king pin box, a bolt-on kit is available at no charge.



Help Line: 1-800-543-1732

The Original
CONVERT-A-BALL®
Interchangeable Hitch System Products



For Many More Original Convert-A-Ball® Products

Contact your local Convert-A-Ball dealer or

Call 1-308-254-7115 or Fax 1-308-254-7194

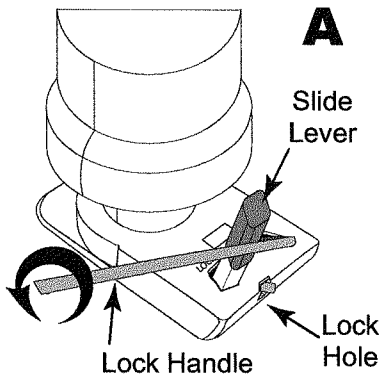
www.convert-a-ball.net • email: info@convert-a-ball.net



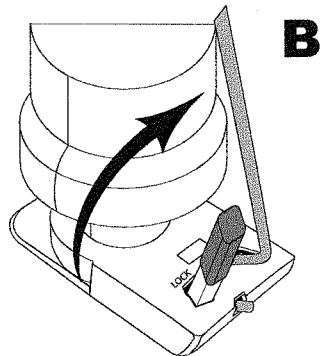
Made in The U.S.A.
Sidney, Nebraska

Ball Coupler - Positive Lock Handle Instructions

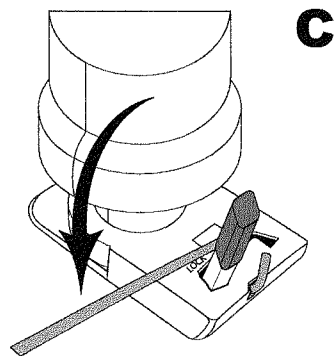
Either end of the lock handle can be used to move the slide lever to the open or locked position from the side of the truck.



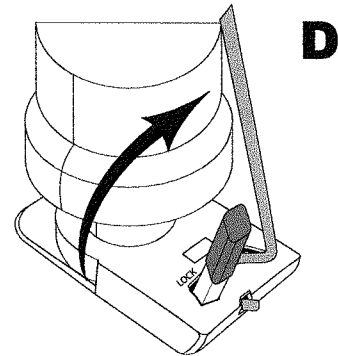
With the lock handle in front of the slide lever, twist curved end through lock hole in the base.



To achieve positive lock, lift the lock handle up and move behind the slide lever.



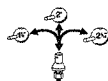
Lower the handle to the bed of the truck. This will prevent the sliding lever from moving from the locked position



To Remove, lift the handle back up and over the slide handle.

Help Line: 1-800-543-1732

The Original
CONVERT-A-BALL®



Interchangeable Hitch System Products

For Many More Original Convert-A-Ball® Products

Contact your local Convert-A-Ball dealer or

Call 1-308-254-7115 or Fax 1-308-254-7194

www.convert-a-ball.net • email: info@convert-a-ball.net



Made in The U.S.A.
Sidney, Nebraska